

SB60X36-8TD-XH-LC

60 X 36 SHOWER BASE WITH 8" TRENCH DRAIN IMI LITECAST™

Note: Base dimensions may vary +/- 1/4"

* Also available in IMI ProCast™



FEATURES

- Shower base size: 60"x 36"
- Low profile curb size: 3" x 3"
- Construction:
 - * Solid one piece
 - * Pre-leveled
 - * Rests on the subfloor
 - * Grout-free
 - * Non-porous
 - * Water & Leak-proof
- Resistant to:
 - * Bacteria
 - * Mold and mildew
 - * Stains (easy to clean)
- Flange: Industrial composite (attached in our factory)

STANDARDS AND RATINGS

- Typical CSI Code: 22 42 23 (Div 22)
- Complies with ANSI Z124 Test
- Complies with ASTM F 462 (Anti-slip test), Our lowest value read was 0.07, test requires 0.04
- MAS Certified Green

Code compliant when fully equipped and installed according to guidelines.

DRAIN FINISHES

| Solid Cover | Code |
|-------------------------|-------|
| Brushed Stainless Steel | SS |
| Ornamental (Slotted) | OSS |
| Decorative (Perforated) | DSS |
| Powder Coated | W, MB |

Material to be Crated and Stacked on Pallets.



Cast Marble Solutions

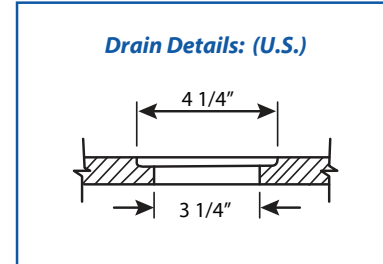
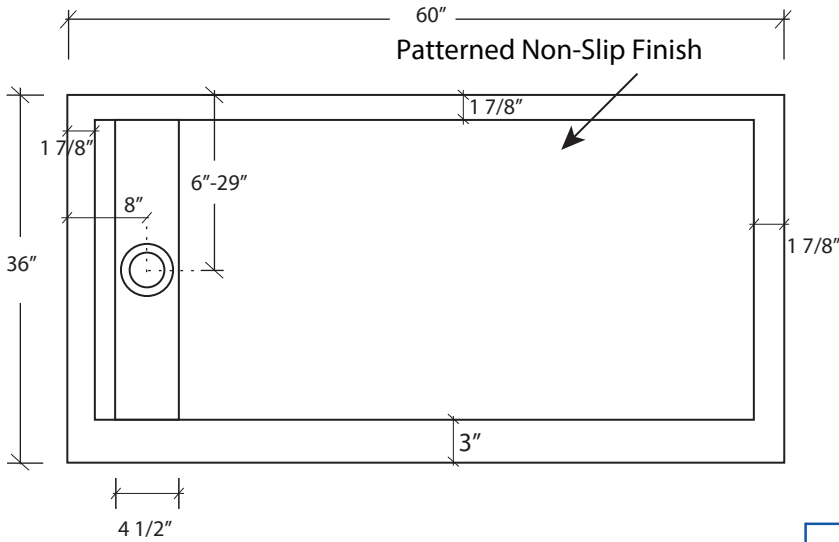
COLOR & TRIM OPTIONS

| Standard Color | Code |
|----------------|------|
| White | SW |

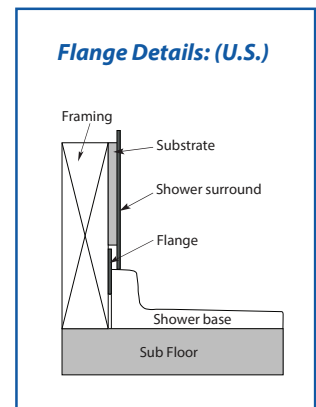
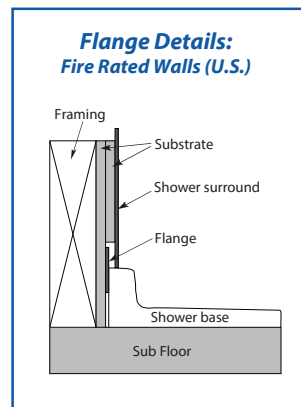
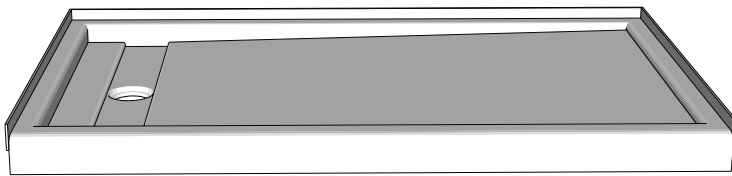
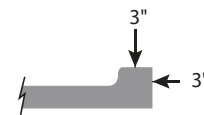
| Optional Color | Code |
|----------------|------|
| Cream | SC |
| Ivory | SI |
| Warm White | WW |



Top View



Side View of Curb



FEATURES Dimensional Tolerance $\pm 1/4"$. Dimensions needed for site preparation should be measured from the unit. American Bath Group assumes no responsibility for preparatory work.

| Type and Model # | Material | Shower Base | Pieces |
|--------------------------------|-------------|---------------------------|--------|
| Shower Base #SB60x36-8TD-xH-LC | Cast Marble | Anti-Slip/Textured Finish | 1 |

SUGGESTED DRAINS

| Image | Description |
|-------|---|
| | Solvent Weld type fitting similar to Oatey Part No. 42097 |
| | Compression type "No-Caulk" fitting similar to Oatey Part No. 42099 |

Drains are not sold by IMI

v.2225