

# SB-TB-ADA-LC

## TRANSFER SHOWER BASE WITH CENTER DRAIN IMI LITECAST™

Note: Base dimensions may vary +/- 1/4"

\* Also available in IMI ProCast™



Material to be crated and stacked on pallets.



Cast Marble Solutions

### COLOR & TRIM OPTIONS

Standard Color	Code
----------------	------

White SW

Optional Color	Code
----------------	------

Cream SC  
Ivory SI  
Warm White WW



## FEATURES

- **Shower base size:** 38"x 38"
- **Construction:** \* Solid one piece  
\* Pre-leveled  
\* Rests on the subfloor  
\* Grout-free  
\* Non-porous  
\* Water & Leak-proof
- **Resistant to:** \*Bacteria  
\* Mold and mildew  
\* Stains (easy to clean)
- **Flange:** Industrial composite (attached in our factory)

## STANDARDS AND RATINGS

- Typical CSI Code: 22 42 23 (Div 22)
- Complies with ANSI Z124 Test
- Complies with ASTM F 462 (Anti-slip test), Our lowest value read was 0.07, test requires 0.04
- MAS Certified Green
- ASTM (Fire rating)

Code compliant when fully equipped and installed according to guidelines.

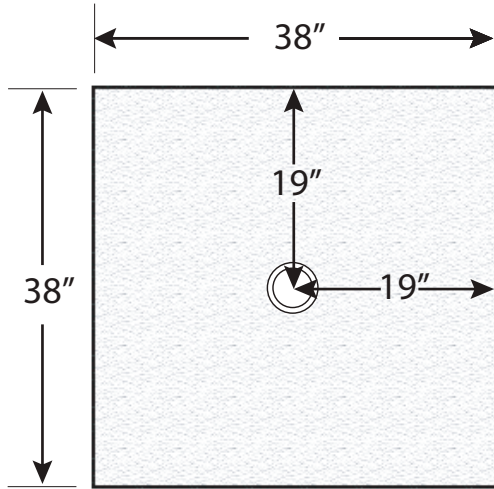


**SB-TB-ADA-LC**

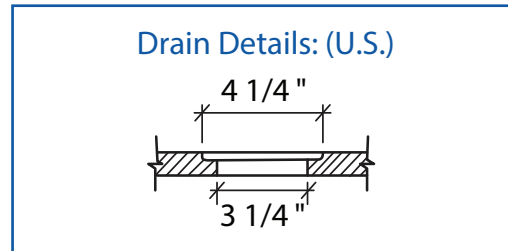
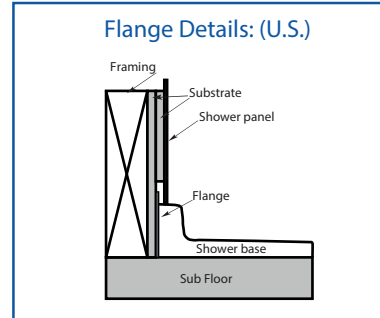
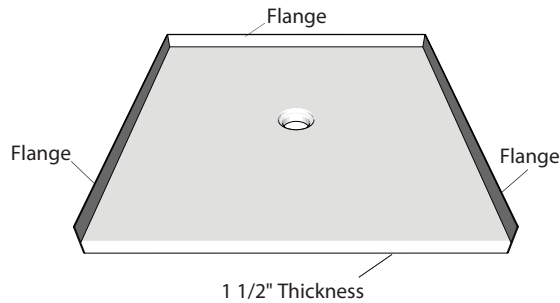
38 X 38 TRANSFER SHOWER BASE WITH CENTER DRAIN

IMI LITECAST™

Top View





Front of Base



**FEATURES** Dimensional Tolerance  $\pm 1/4"$ . Dimensions needed for site preparation should be measured from the unit. American Bath Group assumes no responsibility for preparatory work.

Type and Model #	Material	Shower Base	Pieces
Shower Base #SB-TB-ADA-LC	Cast Marble	Anti-Slip/Textured Finish	1

**SUGGESTED DRAINS**

Image	Description
	Solvent Weld type fitting similar to Oatey Part No. 42097
	Compression type "No-Caulk" fitting similar to Oatey Part No. 42099

Rev. 07.24