

# SB62X36-RI-6TD-SC

62 X 36 SOLID CAST ADA ROLL-IN W/6" TRENCH DRAIN SHOWER BASE  
IMI SOLIDCAST™

Exterior Dimensions: 62" x 36"

Note: Base dimensions may vary +/- 1/4"



## COLOR & TRIM OPTIONS

Standard Color	Code
White	SW

Material to be crated and stacked on pallets.



Solid Cast Solutions



## FEATURES

- **Shower size:** 62" x 36"
- **Construction:** \* Solid one piece  
\* Pre-leveled  
\* Rests on the subfloor  
\* Non-porous  
\* Solid cast  
\* Contains minimum 60% solid particle aggregate aluminum hydroxide  
\* 40% acrylic modified polyester resin
- **Resistant to:** \* Bacteria  
\* Mold and mildew  
\* Stains (easy to clean)
- **Flange:** \* Integrated

## STANDARDS AND RATINGS

- Typical CSI Code: 22 42 23 (Div 22)
- ANSI
- ASTM (Fire Rating)
- MAS Certified Green
- Slip-resistance
- Breaking strength: 250 lbs. minimum

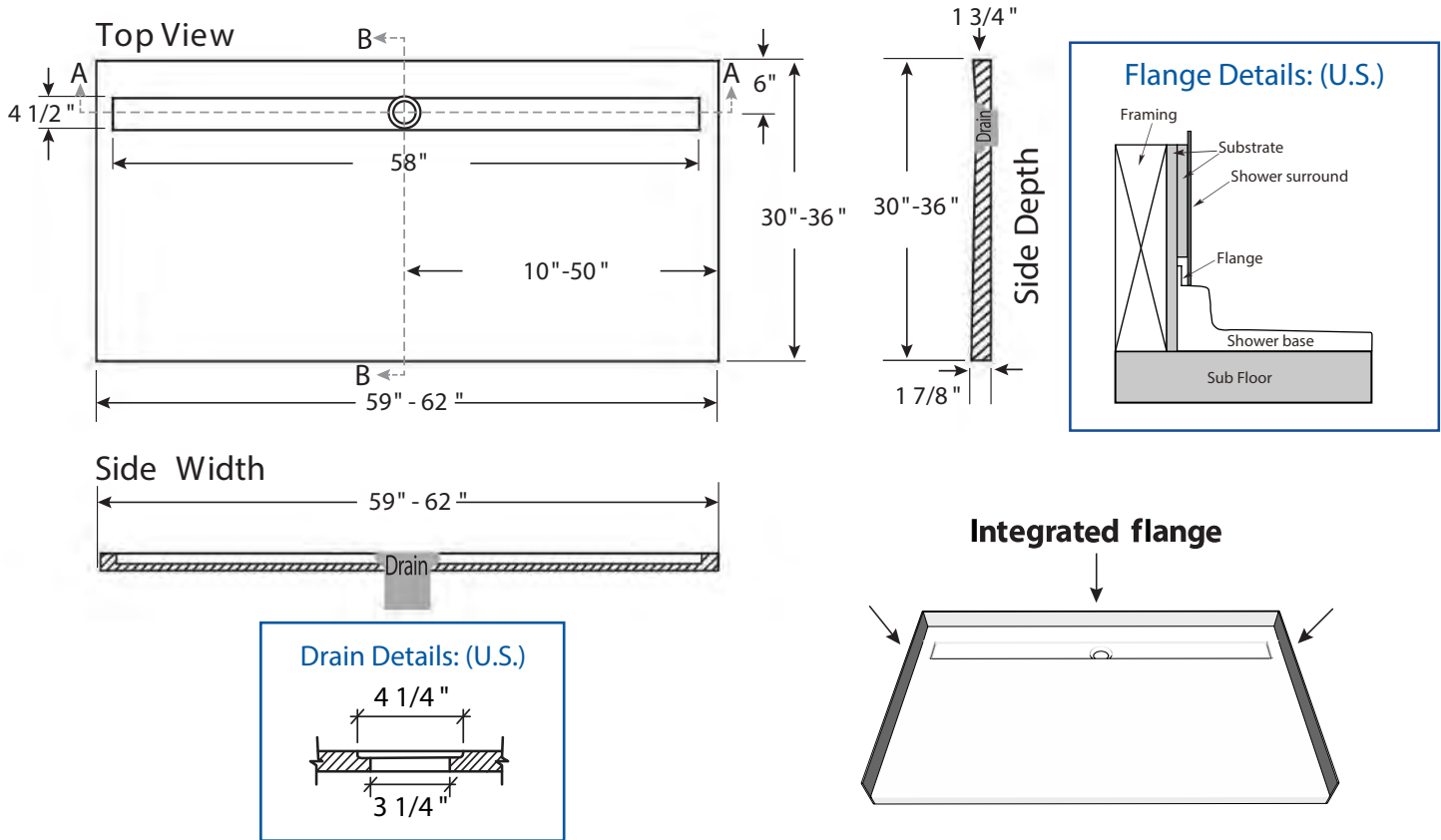
\*See terms and conditions for details.



# SB62X36-RI-6TD-SC

62 X 36 SOLID CAST ADA ROLL-IN W/6" TRENCH DRAIN SHOWER BASE IMI  
SOLIDCAST™

Note: Base dimensions may vary +/- 1/4"



NOTE: 2% sloped towards the drain\*\*



**FEATURES** Dimensional Tolerance  $\pm 1/4"$ . Dimensions needed for site preparation should be measured from the unit. American Bath Group assumes no responsibility for preparatory work.

Type and Model #	Material	Shower Base	Pieces
Shower Base #SB62x36-SSB-SC	Solid Cast	Anti-Slip/Textured Finish	1

## DIMENSIONS

Specifications	inches
Shower Base Depth:	36
Shower Base Width:	62

## SUGGESTED DRAINS

Image	Description
	Solvent Weld type fitting similar to Oatey Part No. 42097
	Compression type "No-Caulk" fitting similar to Oatey Part No. 42099