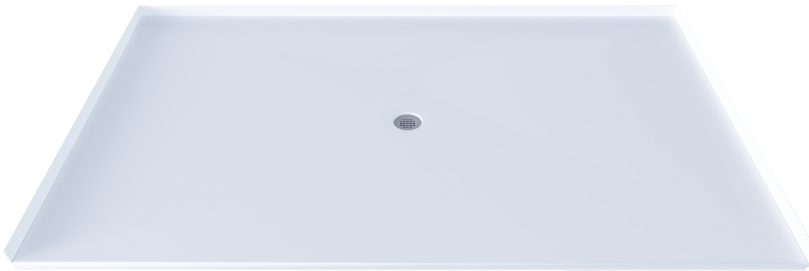
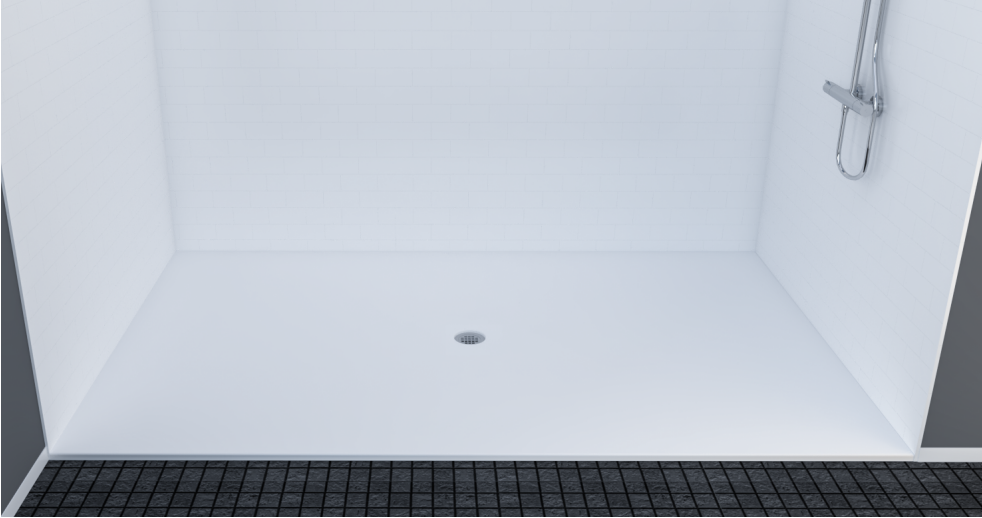


SB-RI-ADA-SC

62 X 31 SOLID CAST ROLL-IN SHOWER BASE IMI
SOLIDCAST™

Exterior Dimensions: 62" x 31"

Note: Base dimensions may vary +/- 1/4"



COLOR & TRIM OPTIONS

Standard Color	Code
White	SW

Material to be crated and stacked on pallets.



Solid Cast Solutions



FEATURES

- **Shower size:** 62" x 31"
- **Construction:** * Solid one piece
* Pre-leveled
* Rests on the subfloor
* Non-porous
* Solid Cast
* Contains minimum 60% solid particle aggregate aluminum hydroxide
* 40% acrylic modified polyester resin
- **Resistant to:** * Bacteria
* Mold and mildew
* Stains (easy to clean)
- **Flange:** * Integrated

STANDARDS AND RATINGS

- Typical CSI Code: 22 42 23 (Div 22)
- ANSI
- ASTM (Fire Rating)
- MAS Certified Green
- Slip-resistance
- Breaking strength: 250 lbs. minimum

*See terms and conditions for details.

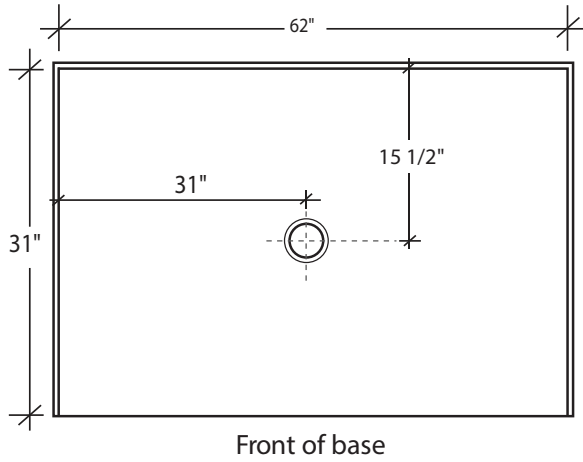


SB-RI-ADA-SC

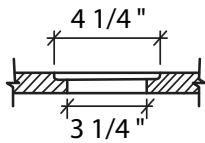
62 X 31 SOLID CAST ROLL-IN SHOWER BASE IMI
SOLIDCAST™

Note: Base dimensions may vary +/- 1/4"

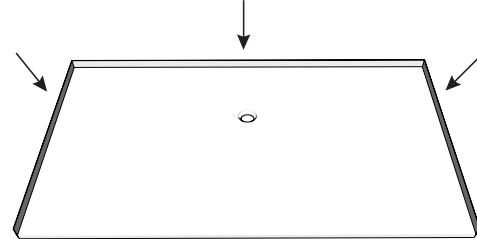
Top View



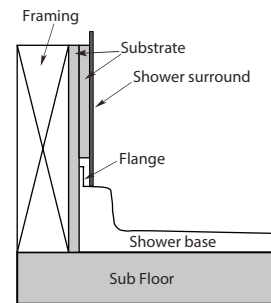
Drain Details: (U.S.)



Integrated flange



Flange Details: (U.S.)



NOTE: 2% sloped towards the drain**

FEATURES Dimensional Tolerance $\pm 1/4$ ". Dimensions needed for site preparation should be measured from the unit. American Bath Group assumes no responsibility for preparatory work.

Type and Model #	Material	Shower Base	Pieces
Shower Base #SB-RI-ADA-SC	Solid Cast	Anti-Slip/Textured Finish	1

DIMENSIONS

Specifications	inches
Shower Base Depth:	31
Shower Base Width:	62
Threshold Height:	1 1/2 - 1 1/4 - 1 1/2
Threshold Width:	3

SUGGESTED DRAINS

Image	Description
	Solvent Weld type fitting similar to Oatey Part No. 42097
	Compression type "No-Caulk" fitting similar to Oatey Part No. 42099