

# SB60X32-4TD-XH-SC

60 X 32 SOLID CAST SHOWER BASE WITH RH OR LH TRENCH DRAIN IMI SOLIDCAST™

Exterior Dimensions: 59 3/4" x 32"

Note: Base dimensions may vary +/- 1/4"



## COLOR & TRIM OPTIONS

Standard Color	Code
White	SW

Material to be crated and stacked on pallets.



Solid Cast Solutions



## FEATURES

- **Shower size:** 59 3/4" x 32"
- **Curb size:** 3" x 2 3/4"
- **Construction:**
  - \* Solid one piece
  - \* Pre-leveled
  - \* Rests on the subfloor
  - \* Non-porous
  - \* Solid Cast
  - \* Contains minimum 60% solid particle aggregate aluminum hydroxide
  - \* 40% acrylic modified polyester resin
- **Resistant to:**
  - \* Bacteria
  - \* Mold and mildew
  - \* Stains (easy to clean)
- **Flange:**
  - \* Integrated

## STANDARDS AND RATINGS

- Typical CSI Code: 22 42 23 (Div 22)
- ANSI
- ASTM (Fire Rating)
- MAS Certified Green
- Slip-resistance
- Breaking strength: 250 lbs. minimum

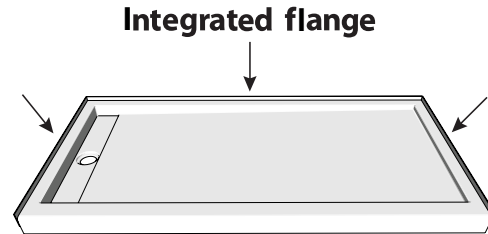
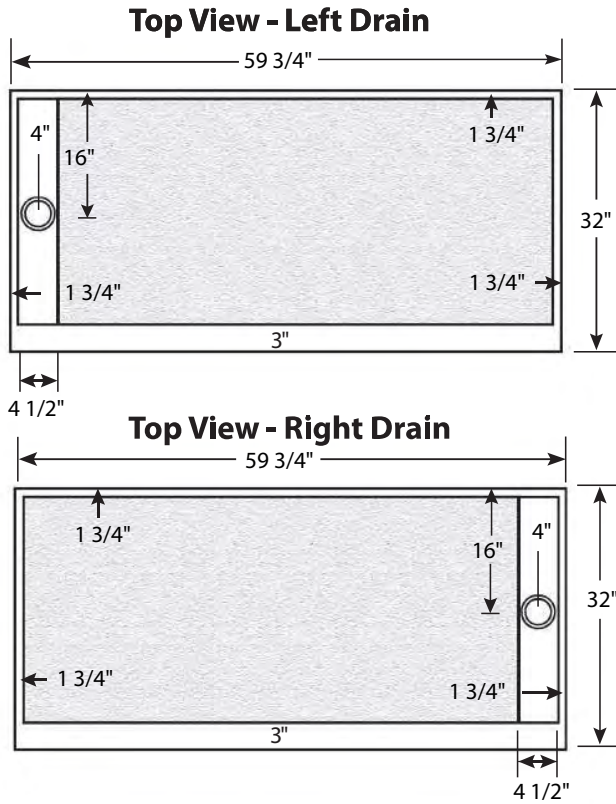
\*See terms and conditions for details.



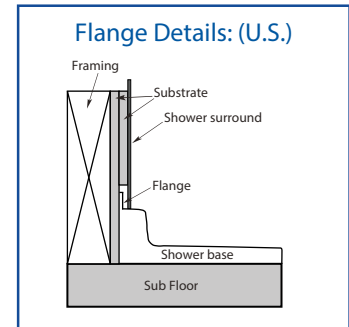
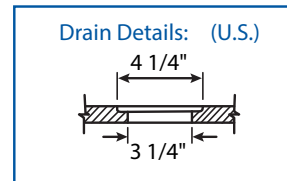
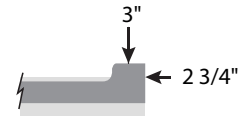
# SB60X32-4TD-XH-SC

60 X 32 SOLID CAST SHOWER BASE WITH RH OR LH TRENCH DRAIN IMI SOLIDCAST™

Note: Base dimensions may vary +/- 1/4"



Side View of Curb



NOTE: 2% sloped towards the drain\*\*



**FEATURES** Dimensional Tolerance  $\pm 1/4$ ". Dimensions needed for site preparation should be measured from the unit. American Bath Group assumes no responsibility for preparatory work.

Type and Model #	Material	Shower Base	Pieces
Shower Base #SB60x32-4TD-xH-SC	Solid Cast	Anti-Slip/Textured Finish	1

## DIMENSIONS

Specifications	inches
Shower Base Depth:	32
Shower Base Width:	59 3/4
Curb Height:	2 3/4
Curb Width:	3

## SUGGESTED DRAINS

Image	Description
	Solvent Weld type fitting similar to Oatey Part No. 42097
	Compression type "No-Caulk" fitting similar to Oatey Part No. 42099