

SB60X30-SSB-SC

60 X 30 SOLID SURFACE SHOWER BASE WITH CENTER DRAIN SOLIDCAST™

Exterior Dimensions: 59¾" W x 30" D

Note: Base dimensions may vary +/- ¼"



Material to be stacked on pallets.



COLOR & TRIM OPTIONS

Standard Color	Code
White	SW

FEATURES

- **Shower size:** 60" x 30"
- **Curb size:** 3" x 2 ¾"
- **Construction:**
 - * Solid one piece
 - * Pre-leveled
 - * Rests on the subfloor
 - * Non-porous
 - * Solid Cast
 - * Contains minimum 60% solid particle aggregate aluminum hydroxide
 - * 40% acrylic modified polyester resin
- **Resistant to:**
 - * Bacteria
 - * Mold and mildew
 - * Stains (easy to clean)
- **Flange:**
 - * Integrated

STANDARDS AND RATINGS

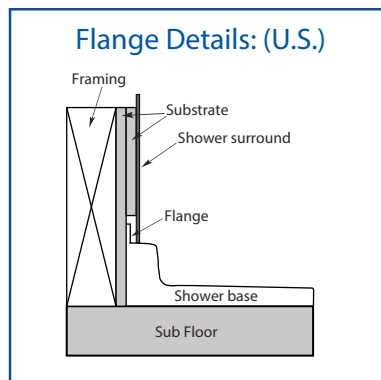
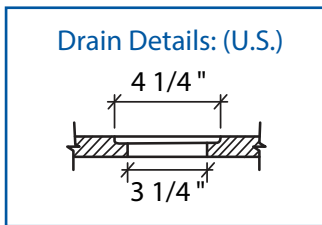
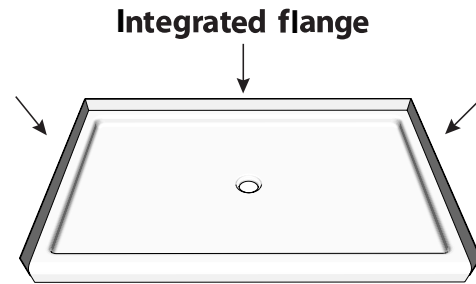
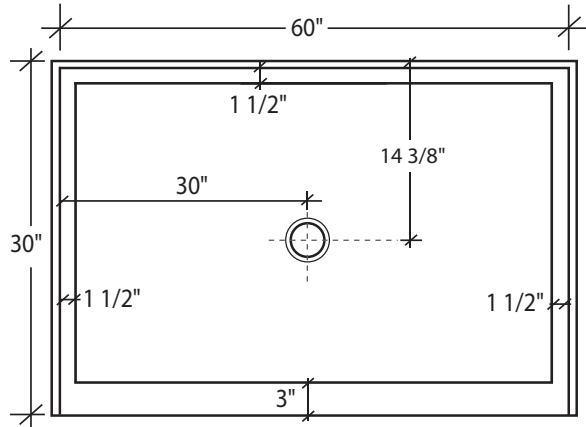
- Typical CSI Code: 22 42 23 (Div 22)
- ANSI
- ASTM (Fire Rating)
- MAS Certified Green
- Slip-resistance
- Breaking strength: 250 lbs. minimum

*See terms and conditions for details.

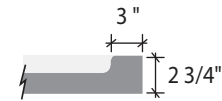
SB60X30-SSB-SC

60 X 30 SOLID SURFACE SHOWER BASE WITH CENTER DRAIN SOLIDCAST™

Note: Base dimensions may vary +/- 1/4"



Side View of Curb



NOTE: 2% sloped towards the drain**

FEATURES Dimensional Tolerance $\pm 1/4$ ". Dimensions needed for site preparation should be measured from the unit. American Bath Group assumes no responsibility for preparatory work.

Type and Model #	Material	Shower Base	Pieces
Shower Base #SB60x30-SSB-SC	Solid Cast	Anti-Slip/Textured Finish	1

DIMENSIONS

Specifications	inches
Shower Base Depth:	30
Shower Base Width:	59 3/4
Curb Height:	2 3/4
Curb Width:	3

SUGGESTED DRAINS

Image	Description
	Solvent Weld type fitting similar to Oatey Part No. 42097
	Compression type "No-Caulk" fitting similar to Oatey Part No. 42099