

# SB40x32-SSB-LC

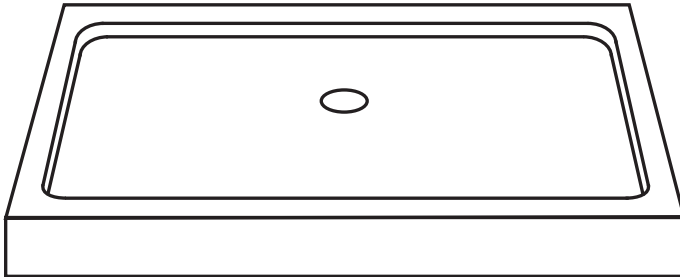
inches

## 40 X 32 SHOWER BASE WITH CENTER DRAIN IMI LITECAST™

Exterior Dimensions: 40W x 32D

Note: Base dimensions may vary +/- 1/8"

\* Also available in IMI ProCast™



Material to be stacked on pallets.

### COLOR & TRIM OPTIONS

Standard Color	Code
White	SW

Optional Color	Code
Cream	SC
Ivory	SI
Warm White	WW

Additional custom colors available.



Cast Marble Solutions

## FEATURES

- Size: 40" x 32"
- Center Drain
- Drain Opening: 3.25" hole width
- Curb: Integral - 3" x 3.25" high
- Flange: Attached at factory
- Solid one-piece construction
- Pre-leveled, rests on subfloor
- Mold and mildew resistant
- Bacteria resistant
- "Grout-free" and non-porous
- Stain resistant and easy to clean
- Water proof and leak proof

## STANDARDS AND RATINGS

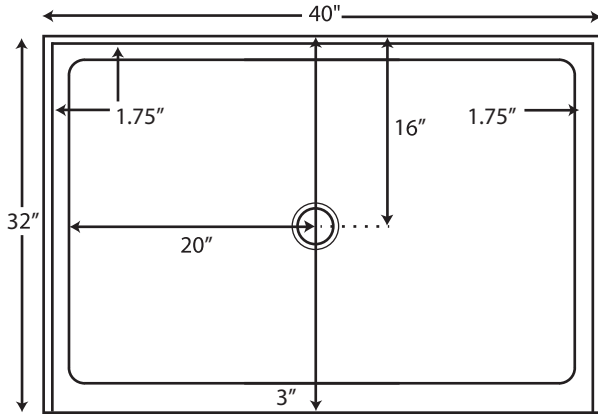
- ANSI Z124.1.2  
- 2005 Tested by NAHB
- ASTM 1028-96  
Coefficient of friction test  
(minimum rating of .67)
- Typical CSI Code: 22 42 23 (Div 22)
- ANSI
- ASTM (Fire Rating)
- MAS Certified Green

Code compliant when fully equipped and installed according to guidelines.

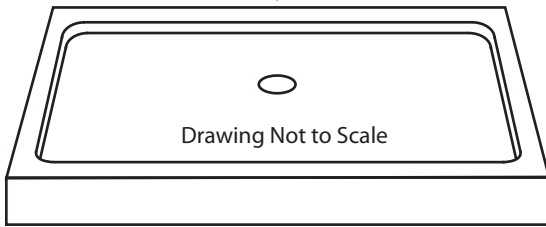


# SB40x32-SSB-LC

40 X 32 SHOWER BASE WITH CENTER DRAIN  
IMI LITECAST™

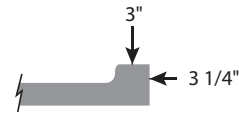


Flange Attached at Factory

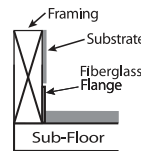


Integral 3" Wide Curb

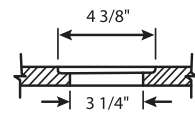
### Side View of Curb



#### Flange Details: (U.S.)



#### Drain Details: (U.S.)



**FEATURES** Dimensional Tolerance  $\pm 1/4"$ . Dimensions needed for site preparation should be measured from the unit. American Bath Group assumes no responsibility for preparatory work.

Type and Model #	Material	Shower Base	Pieces
Shower Base #SB40x32-SSB-LC	Cast Marble	Anti-Slip/Textured Finish	1

#### DIMENSIONS

Specifications	inches
Shower Base Depth:	32
Shower Base Width:	40
Curb Height:	3 1/4

#### Suggested Drains:



Solvent Weld type fitting similar to Oatey Part No. 42097



Compression type "No-Caulk" fitting similar to Oatey Part No. 42099

Rev. 01.11.21