

# SB66x36-8TD-xH-LC

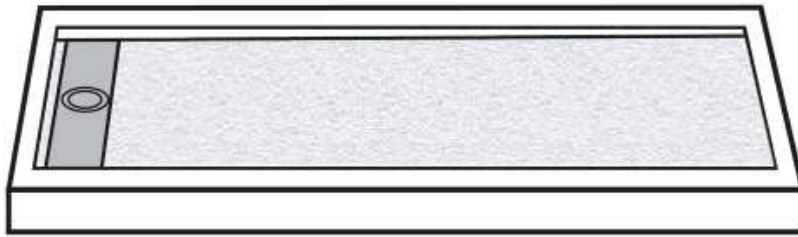
inches

## 66 X 36 LH OR RH SHOWER BASE WITH 8" TRENCH DRAIN IMI LITECAST™

Exterior Dimensions: 66W x 36D

Note: Base dimensions may vary +/- 1/8"

\* Also available in IMI ProCast™



Material to be stacked on pallets.

### DRAIN FINISHES

Solid Cover	Code
Brushed Stainless Steel	SS
Ornamental (Slotted)	OSS
Decorative (Perforated)	DSS
Powder Coated	W, MB

### COLOR & TRIM OPTIONS

Standard Color	Code
White	SW
Optional Color	Code
Cream	SC
Ivory	SI
Warm White	WW

Additional custom colors available.



Cast Marble Solutions

## FEATURES

- Fiberglass Flange
- Left or right drain
- Pre-sloped to drain
- Solid one-piece construction
- Pre-leveled, rests on subfloor
- Mold and mildew resistant
- Bacteria resistant
- "Grout-free" and non-porous
- Stain resistant and easy to clean
- Waterproof and leakproof

## STANDARDS AND RATINGS

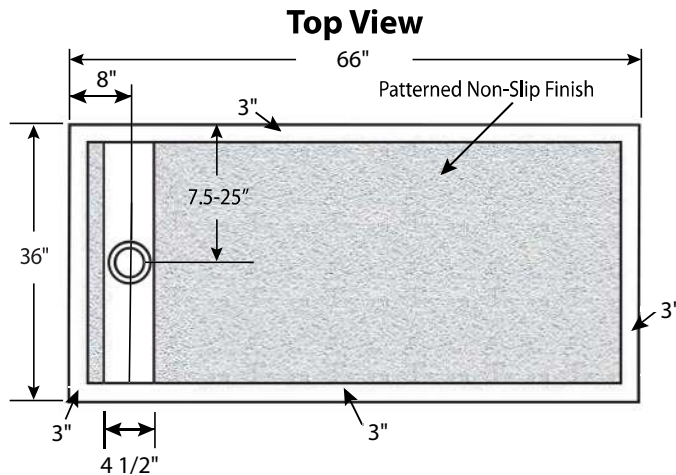
- Typical CSI Code: 22 42 23 (Div 22)
- ANSI
- ASTM (Fire Rating)
- MAS Certified Green

Code compliant when fully equipped and installed according to guidelines.

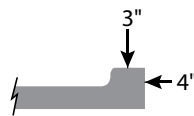


# SB66x36-8TD-xH-LC

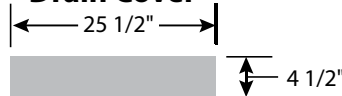
66 X 36 LH OR RH SHOWER BASE WITH 8" TRENCH DRAIN  
IMI LITECAST™



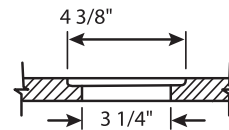
**Side View of Curb**



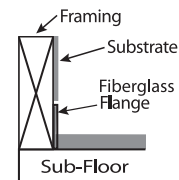
**Drain Cover**



**Drain Details: (U.S.)**



**Flange Details: (U.S.)**



**FEATURES** Dimensional Tolerance  $\pm 1/4$ ". Dimensions needed for site preparation should be measured from the unit. American Bath Group assumes no responsibility for preparatory work.

Type and Model #	Material	Shower Base	Pieces
Shower Base #SB66x36-8TD-xH-LC	Cast Marble	Anti-Slip/Textured Finish	1

**DIMENSIONS**

Specifications	inches
Shower Base Depth:	36
Shower Base Width:	66
Curb Height:	4
Curb Width:	3

**Suggested Drains:**



Solvent Weld type fitting similar to Oatey Part No. 42097



Compression type "No-Caulk" fitting similar to Oatey Part No. 42099