

# SB60x32-LP8.5-xH-LC

inches

## 60 X 32 LOW PROFILE SHOWER BASE WITH RH OR LH DRAIN CAST MARBLE

Exterior Dimensions: 59 3/4" W x 31 7/8" D

Note: Base dimensions may vary +/- 1/8"

\* Also available in IMI ProCast™



Optional Bench Seat or Corner Seat Available

Material to be stacked on pallets.

### COLOR & TRIM OPTIONS

Standard Color	Code
White	SW

Optional Color	Code
Cream	SC
Ivory	SI
Warm White	WW

Additional custom colors available.



Cast Marble Solutions

### FEATURES

- Available in Left Hand and Right Hand version
- Designed for tub replacements
- Solid one-piece construction
- Anti-slip texture
- Pre-leveled, rests on subfloor
- Mold and mildew resistant
- Bacteria resistant
- "Grout-free" and non-porous
- Stain resistant and easy to clean
- Waterproof and leakproof

### STANDARDS AND RATINGS

- Typical CSI Code: 22 42 23 (Div 22)
- ANSI
- ASTM (Fire Rating)
- MAS Certified Green

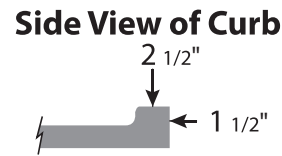
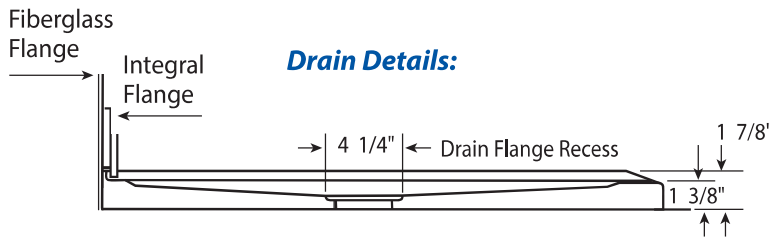
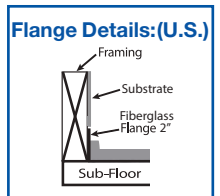
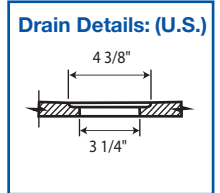
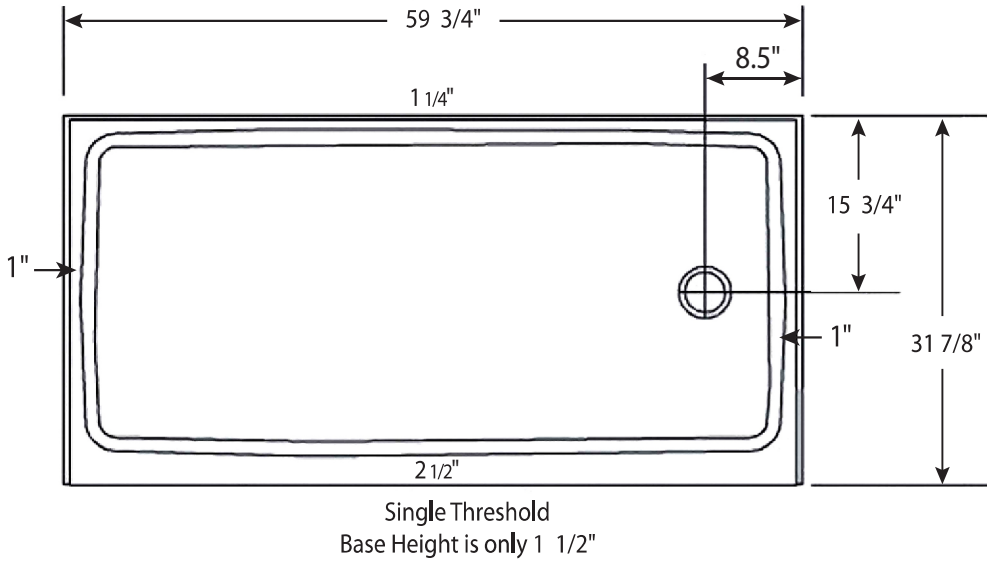
Code compliant when fully equipped and installed according to guidelines.

\*See terms and conditions for details.



# SB60x32-LP8.5-xH-LC

60 X 32 LOW PROFILE SHOWER BASE WITH RH OR LH DRAIN  
CAST MARBLE



**FEATURES** Dimensional Tolerance  $\pm 1/8$ ". Dimensions needed for site preparation should be measured from the unit. American Bath Group assumes no responsibility for preparatory work.

Type and Model #	Material	Shower Base	Pieces
Shower Base #SB60x32-LP8.5-xH-LC	Cast Marble	Anti-Slip/Textured Finish	1

**DIMENSIONS**

Specifications	inches
Shower Base Depth:	31 7/8
Shower Base Width:	59 3/4
Curb Height:	1 1/2
Curb Width:	2 1/2

**Suggested Drains:**



Solvent Weld type fitting similar to Oatey Part No. 42097



Compression type "No-Caulk" fitting similar to Oatey Part No. 42099