

SB60x32-4TD-xH-LC

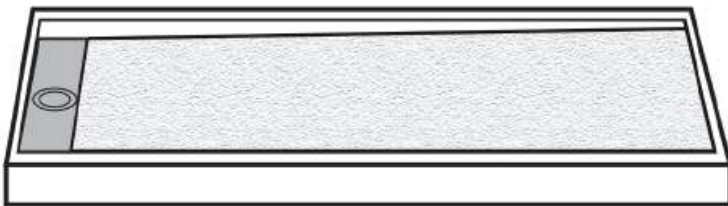
inches

60 X 32 4" TRENCH DRAIN LH OR RH SHOWER BASE IMI LITECAST™

Exterior Dimensions: 60W x 32D

Note: Base dimensions may vary +/- 1/8"

* Also available in IMI ProCast™



Material to be stacked on pallets.

DRAIN FINISHES

| Solid Cover | Code |
|-------------------------|-------|
| Brushed Stainless Steel | SS |
| Ornamental (Slotted) | OSS |
| Decorative (Perforated) | DSS |
| Powder Coated | W, MB |

COLOR & TRIM OPTIONS

| Standard Color | Code |
|----------------|------|
| White | SW |

| Optional Color | Code |
|----------------|------|
| Cream | SC |
| Ivory | SI |
| Warm White | WW |

Additional custom colors available.



Cast Marble Solutions

FEATURES

- Available in Left Hand and Right Hand version
- Fiberglass Flange
- 3" Wide Thresholds on Front
- Solid one-piece construction
- Pre-leveled, rests on subfloor
- Mold and mildew resistant
- Bacteria resistant
- "Grout-free" and non-porous
- Stain resistant and easy to clean
- Waterproof and leakproof

STANDARDS AND RATINGS

- Typical CSI Code: 22 42 23 (Div 22)
- ANSI
- ASTM (Fire Rating)
- MAS Certified Green

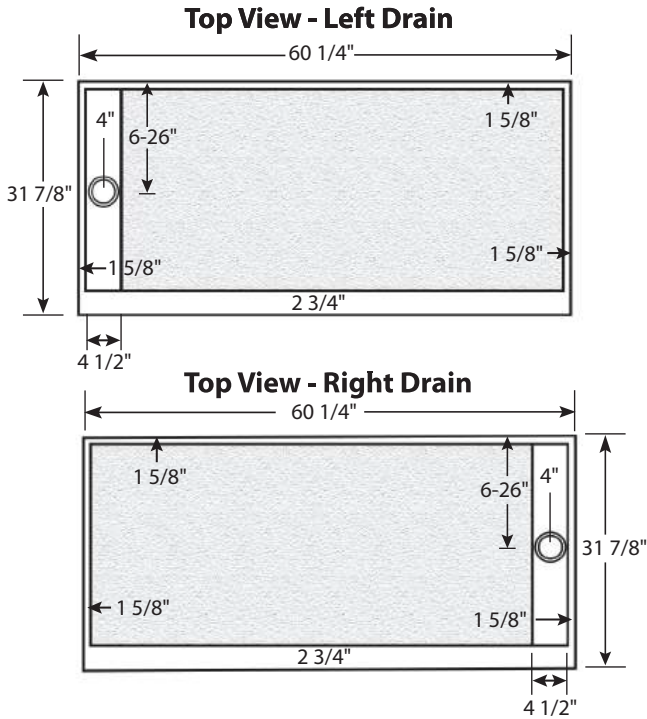
Code compliant when fully equipped and installed according to guidelines.



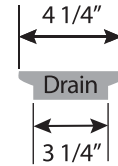
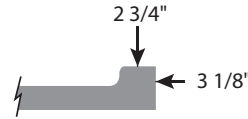
SB60x32-4TD-xH-LC

60 X 32 4" TRENCH DRAIN LH OR RH SHOWER BASE

IMI LITECAST™



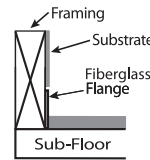
Side View of Curb



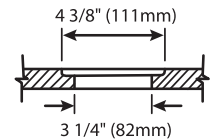
Drain Cover



Flange Details: (U.S.)



Drain Details: (U.S.)



FEATURES Dimensional Tolerance $\pm 1/8$ ". Dimensions needed for site preparation should be measured from the unit. American Bath Group assumes no responsibility for preparatory work.

| Type and Model # | Material | Shower Base | Pieces |
|--------------------------------|-------------|---------------------------|--------|
| Shower Base #SB60x32-4TD-xH-LC | Cast Marble | Anti-Slip/Textured Finish | 1 |

DIMENSIONS

| Specifications | inches |
|--------------------|--------|
| Shower Base Depth: | 32 |
| Shower Base Width: | 59 7/8 |
| Curb Height: | 3 1/4 |

Suggested Drains:



Solvent Weld type fitting similar to Oatey Part No. 42097



Compression type "No-Caulk" fitting similar to Oatey Part No. 42099

Rev. 12.14.20