

# SB54x34-SSB-LC

inches

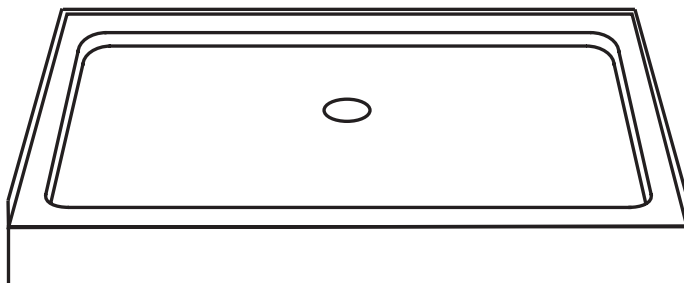
## 54 X 34 SHOWER BASE WITH CENTER DRAIN

IMI LITECAST™

Exterior Dimensions: 54W x 34D

Note: Base dimensions may vary +/- 1/8"

\* Also available in IMI ProCast™



### FEATURES

- 3" x 4" high integral curb
- Fiberglass flange attached at factory
- Solid one-piece construction
- Pre-leveled, rests on subfloor
- Mold and mildew resistant
- Bacteria resistant
- "Grout-free" and non-porous
- Stain resistant and easy to clean
- Water proof and leak proof

### STANDARDS AND RATINGS

- Typical CSI Code: 22 42 23 (Div 22)
- ANSI
- ASTM (Fire Rating)
- MAS Certified Green

Code compliant when fully equipped and installed according to guidelines.

Material to be stacked on pallets.

#### COLOR & TRIM OPTIONS

Standard Color	Code
----------------	------

White	SW
-------	----

Optional Color	Code
----------------	------

Cream	SC
Ivory	SI
Warm White	WW

Additional custom colors available.

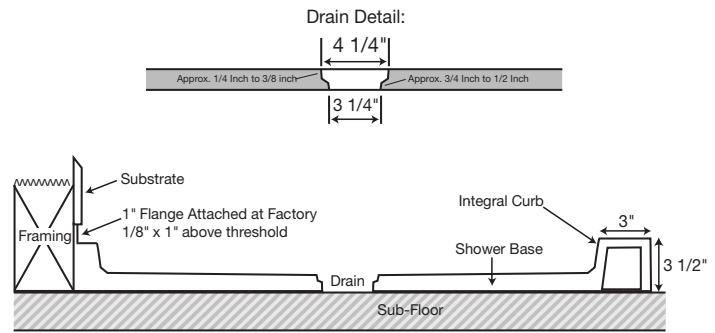
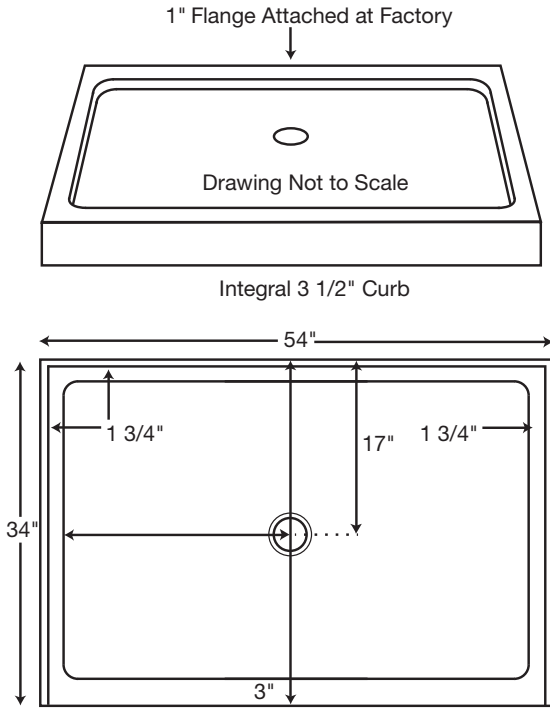


Cast Marble Solutions



**SB54x34-SSB-LC**

54 X 34 SHOWER BASE WITH CENTER DRAIN  
IMI LITECAST™



Drain not included. Finished product dimensions may vary +/- 1/8" from drawing.

**FEATURES** Dimensional Tolerance  $\pm 1/8"$ . Dimensions needed for site preparation should be measured from the unit. American Bath Group assumes no responsibility for preparatory work.

Type and Model #	Material	Shower Base	Pieces
Shower Base #SB54x34-SSB-LC	Cast Marble	Anti-Slip/Textured Finish	1

**DIMENSIONS**

Specifications	inches
Shower Base Depth:	34
Shower Base Width:	54
Curb Height:	3 1/2

**SUGGESTED DRAINS**

Image	Description
	Solvent Weld type fitting similar to Oatey Part No. 42097
	Compression type "No-Caulk" fitting similar to Oatey Part No. 42099

Rev. 04.12.21