

SB54x32-SSB-LC

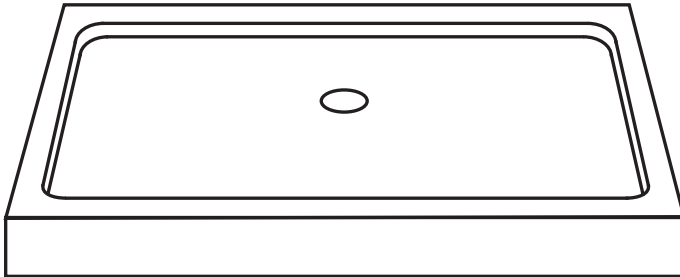
inches

54 X 32 SHOWER BASE WITH CENTER DRAIN IMI LITECAST™

Exterior Dimensions: 54W x 32D

Note: Base dimensions may vary +/- 1/8"

* Also available in IMI ProCast™



Material to be stacked on pallets.

COLOR & TRIM OPTIONS

| Standard Color | Code |
|----------------|------|
| White | SW |

| Optional Color | Code |
|----------------|------|
| Cream | SC |
| Ivory | SI |
| Warm White | WW |

Additional custom colors available.



Cast Marble Solutions

FEATURES

- Size: 54" x 32"
- Center Drain
- Drain Opening: 3.25" hole width
- Curb: Integral - 3" x 4" high
- Flange: Attached at factory
- Solid one-piece construction
- Pre-leveled, rests on subfloor
- Mold and mildew resistant
- Bacteria resistant
- "Grout-free" and non-porous
- Stain resistant and easy to clean
- Water proof and leak proof

STANDARDS AND RATINGS

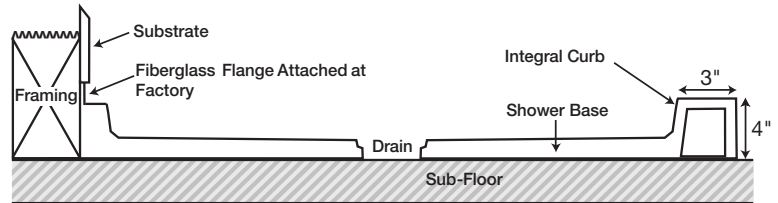
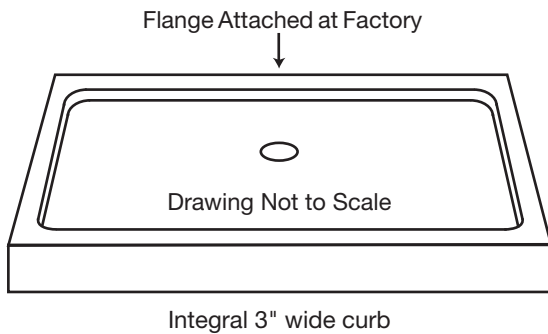
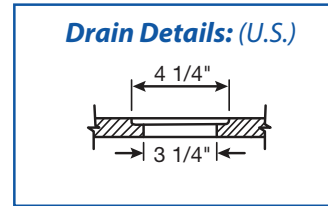
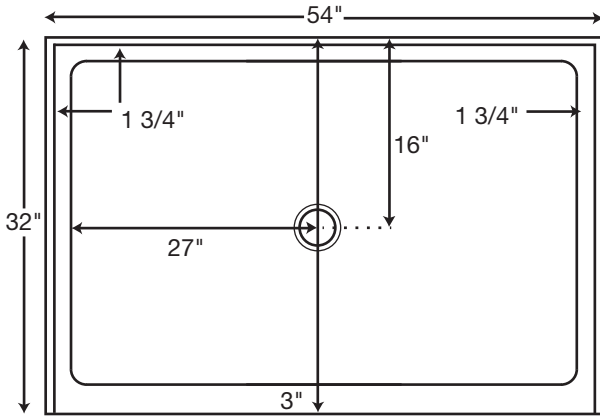
- ANSI Z124.1.2
- 2005 Tested by NAHB
- ASTM 1028-96
Coefficient of friction test
(minimum rating of .67)
- Typical CSI Code: 22 42 23 (Div 22)
- ANSI
- ASTM (Fire Rating)
- MAS Certified Green

Code compliant when fully equipped and installed according to guidelines.



SB54x32-SSB-LC

54 X 32 SHOWER BASE WITH CENTER DRAIN
IMI LITECAST™



Drain not included. Finished product dimensions may vary +/- 1/8" from drawing.

FEATURES Dimensional Tolerance $\pm 1/8"$. Dimensions needed for site preparation should be measured from the unit. American Bath Group assumes no responsibility for preparatory work.

| Type and Model # | Material | Shower Base | Pieces |
|-----------------------------|-------------|---------------------------|--------|
| Shower Base #SB54x32-SSB-LC | Cast Marble | Anti-Slip/Textured Finish | 1 |

DIMENSIONS

| Specifications | inches |
|--------------------|--------|
| Shower Base Depth: | 32 |
| Shower Base Width: | 54 |
| Curb Height: | 4 |

Suggested Drains:



Solvent Weld type fitting similar to Oatey Part No. 42097



Compression type "No-Caulk" fitting similar to Oatey Part No. 42099