

# SB42x36-SSB-LC

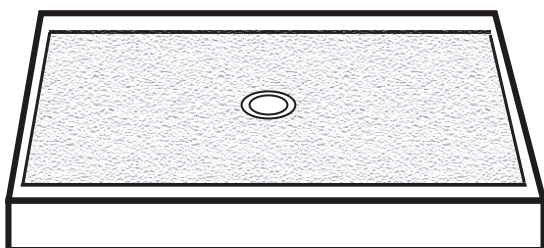
inches

## 42 X 36 STANDARD SHOWER BASE WITH CENTER DRAIN IMI LITECAST™

Exterior Dimensions: 42W x 36D

Note: Base dimensions may vary +/- 1/8"

\* Also available in IMI ProCast™



### FEATURES

- 4" wide threshold
- Solid one-piece construction
- Pre-leveled, rests on subfloor
- Mold and mildew resistant
- Bacteria resistant
- "Grout-free" and non-porous
- Stain resistant and easy to clean
- Water proof and leak proof

### STANDARDS AND RATINGS

- ANSI Z124.1.2  
- 2005 Tested by NAHB
- ASTM 1028-96  
Coefficient of friction test  
(minimum rating of .67)
- Typical CSI Code: 22 42 23 (Div 22)
- ANSI
- ASTM (Fire Rating)
- MAS Certified Green

Code compliant when fully equipped and installed according to guidelines.

Material to be stacked on pallets.

#### COLOR & TRIM OPTIONS

Standard Color	Code
----------------	------

White	SW
-------	----

Optional Color	Code
----------------	------

Cream	SC
Ivory	SI
Warm White	WW

Additional custom colors available.



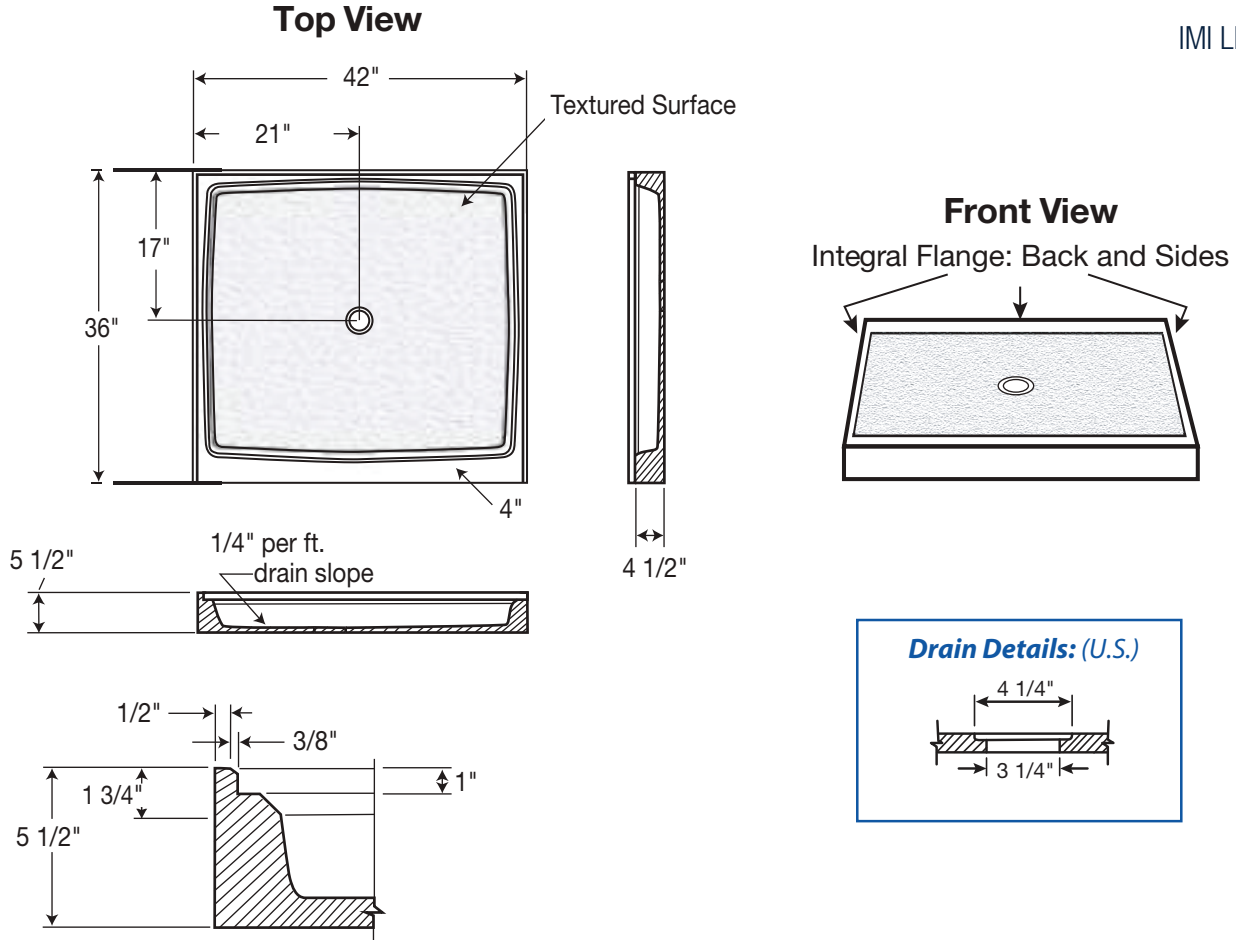
Cast Marble Solutions



# SB42x36-SSB-LC

42 X 36 STANDARD SHOWER BASE WITH CENTER DRAIN

IMI LITECAST™



**FEATURES** Dimensional Tolerance  $\pm 1/8"$ . Dimensions needed for site preparation should be measured from the unit. American Bath Group assumes no responsibility for preparatory work.

Type and Model #	Material	Shower Base	Pieces
Shower Base #SB42x36-SSB-LC	Cast Marble	Anti-Slip/Textured Finish	1

## DIMENSIONS

Specifications	inches
Shower Base Depth:	36
Shower Base Width:	42
Curb Height:	5 1/2

## Suggested Drains:



Solvent Weld type fitting similar to Oatey Part No. 42097



Compression type "No-Caulk" fitting similar to Oatey Part No. 42099

Rev. 01.05.21