

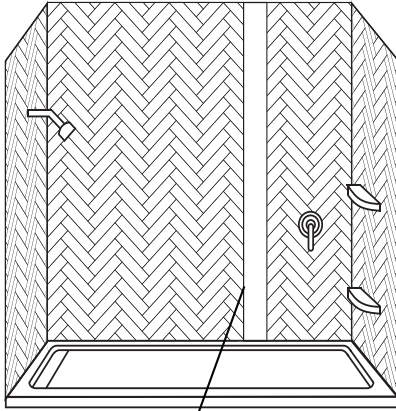


# 3x12 Herringbone Tile Pattern Panel System

WS-ST-SU-HB3x12

For Standard Showers (TownePlace Suites Shown)

Technical Specifications



Seam Here

### Specifications:

**Description:** Multi-Piece Sealed Surface Panel System  
**Standard:** ProCast  
**Color:** SW7005 (IMI: WW1127)  
**Finish:** Gloss

### Dimensions:

**2-Side Panels:** 36"x96" each  
**2-Back Panels:** 44"x28"x96" (totaling 72"x96")  
• 28" back panel includes 6" listello  
**Height:** Up to 96"  
**Thickness:** 5/16"  
**To Fit:** 72" x 34" TPS Shower

### Specified Shower Base:

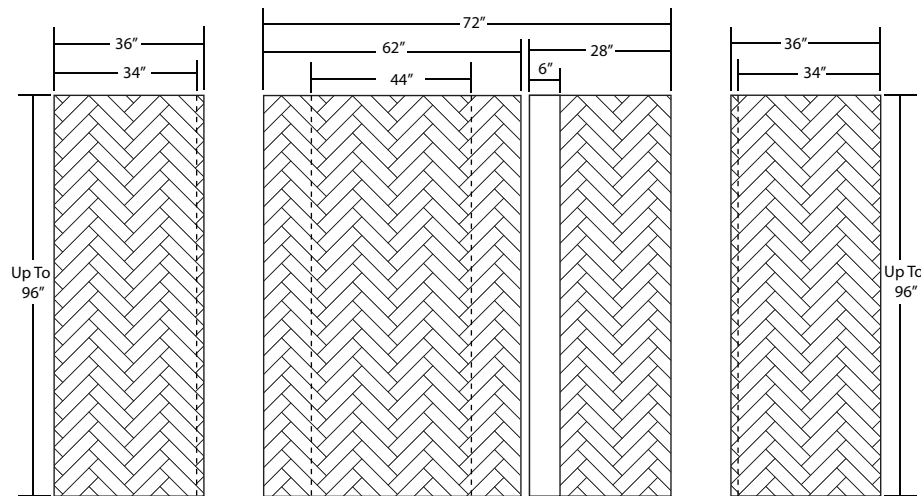
**SB-72x34-4 TD-xH-LC:**  
72" x 34" Trench Drain Shower Base.  
Available with left or right drain location with Satin Nickel Trench Drain Cover.

### Specified Accessories:

**AL-C15:**  
Curved Wall Mount Accessory Ledge  
**FR-NS15:**  
Footrest Non-Slip 15"

### Hardware Included:

**2 - 3" Truss Head Screws**  
Use with standoffs and blocking  
**AL-C15:**  
**2 - Standoffs**  
Use if blocking and if no blocking  
**2 - Winglts**  
For use with standoffs when blocking is unavailable  
**3 - 3" Truss Head Screws**  
Use with standoffs and blocking  
**FR-NS15:**  
**3 - Standoffs**  
Use if blocking and if no blocking  
**3 - Winglts**  
For use with standoffs when blocking is unavailable



- NOTES:**
1. Panels MUST extend to the ceiling for tubs and showers. Drawing shows maximum panel dimensions. Cutting must be done on site to fit project requirements.
  2. Panels received may be oversized. Trimming to fit site dimensions is necessary. Always trim end panels on the inside, where they meet the back wall.  
**Note: Trimming back and side panels on the inside will cause grout lines to not match up in the corners. Exaggerate off-set grout lines in the corner for design intent.**
  3. Back panel is 2 pieces; one 44" panel and one 28" panel with a wavy tiled vertical listello, DO NOT trim straight factory finished edges where the panels will be seamed together, as there is no seam cover.
  4. Winglts with standoffs to be used only when blocking unavailable, otherwise, use truss head screws and standoffs with blocking for SS-05 installation to ensure adequate stability. Blocking for accessory ledge and footrest required
  5. Extremely sanitary, impervious to mold, mildew and bacteria. Panels have appearance of grout without sanitary and moisture issues associated with grout.
  6. 10-year limited warranty against manufacturing defects.
  7. ProCast - Class A fire rated per ATSM e84 : Fire rated material.
  8. Made in the U.S.A.
  9. Shower Head and Water Controls must be centered in panels.

Typical CSI Codes: 06 61 13

Revised: 2020.03.24

© 2020 Copyright IMI International Marble Industries, Inc.

